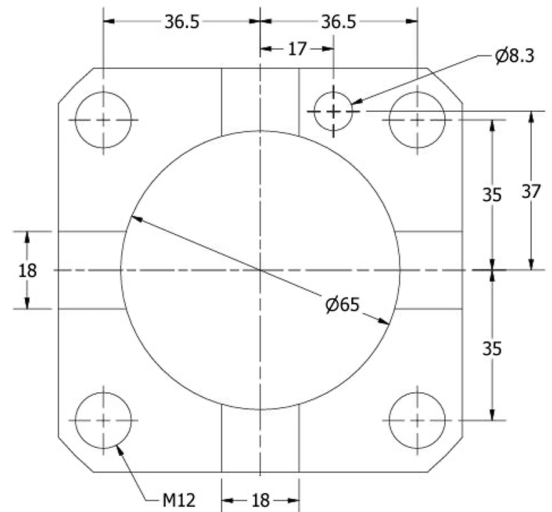


BMT65 HAAS SPECIFIC MACHINES FITMENT LIST

Brand	Models
HAAS	SL-40 (12 St hybrid Turret) ST-40/45 (12 st hybrid turret) ST-40/45 (BOT-turret) ST40/45 L (12 st hybrid turret)



The Static Tools listed below will fit the listed machines above.

R2362011	HAAS BMT65 Turret	1" OD Turning Holder
R2362012	HAAS BMT65 Turret	1" ID Holder
R2362013	HAAS BMT65 Turret	1-1/4" ID Holder
R2362014	HAAS BMT65 Turret	1-1/2" ID Holder.
R2362015	HAAS BMT65 Turret	1" OD Face Turning Holder
R2362016	HAAS BMT65 Turret	1" Split ID Holder
R2362017	HAAS BMT65 Turret	1-1/2" Split ID Holder
R2362018	HAAS BMT65 Turret	2" Split ID Holder
R2362019	HAAS BMT65 Turret	1" Extended ID Holder
R2362020	HAAS BMT65 Turret	1-1/4" Extended ID Holder
R2362021	HAAS BMT65 Turret	1" Double OD Turning Holder
R2362022	HAAS BMT65 Turret	1" Double Offset OD Turning Holder
R2362023	HAAS BMT65 Turret	1" Triple ID Holder
R2362024	HAAS BMT65 Turret	3/4" & 1" OD Half Index Double Sided Turning Holder
R2362025	HAAS BMT65 Turret	1" Extended Triple ID Holder
R2362026	HAAS BMT65 Turret	CAPTO C4 OD Holder
R2362027	HAAS BMT65 Turret	CAPTO C4 ID Holder
R2362028	HAAS BMT65 Turret	CAPTO C4 Double OD Holder